

FOREST-FEVER



* Africa Mousegrey

1-1-2024

2

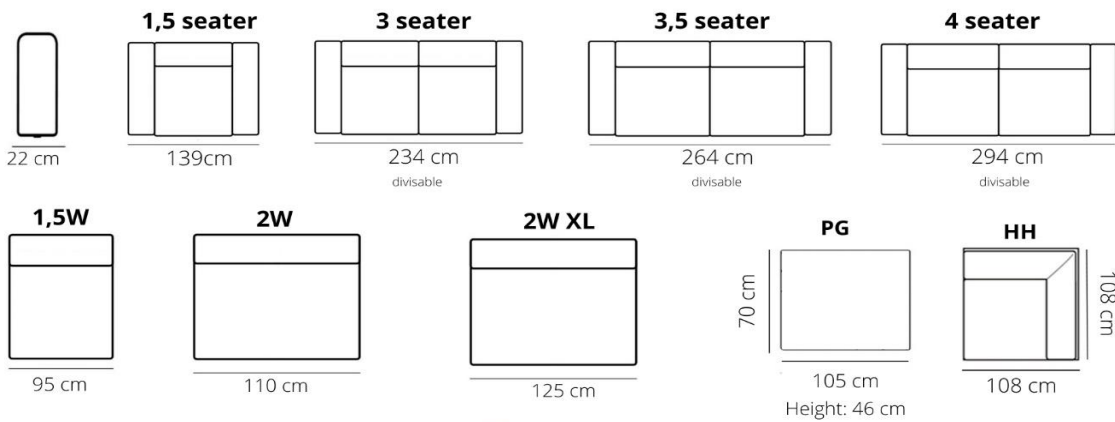
		LEDER	LEDER	LEDER	STOF	L60 STOF	STOF
		<u>D</u>	<u>R</u>	<u>S</u>	<u>S1</u>	<u>S2</u>	<u>S3</u>
1,5-zits		1.556	1.736	1.942	1.110	1.190	1.556
3-zits (2 delen)		2.578	2.870	3.198	1.868	1.942	2.578
3,5-zits (2 delen)		2.818	3.104	3.478	2.018	2.144	2.818
4-zits (2 delen)		3.032	3.284	3.662	2.172	2.274	3.032
Losse arm 22 cm		266	304	346	178	214	266
1,5 W		1.026	1.130	1.256	758	810	1.026
2W		1.148	1.252	1.396	834	892	1.148
2W XL		1.252	1.342	1.488	910	974	1.252
Haakse hoek	HH	1.302	1.454	1.582	938	1.048	1.302
Hocker	PG	706	770	848	504	560	706

Let op: Door het gebruik van verschillende mallen kunnen stiknaden van modellen in stof afwijkend zijn t.o.v de stiknaden van dezelfde modellen in leer
Alle maten zijn bij benadering. technische en stylistische veranderingen voorbehouden! Tvoefouten voorbehouden!

FOREST – FEVER



ELEMENTS



HEIGHT: 83 cm
DEPTH: 108 cm
SEAT DEPTH: 63 cm
SEAT HEIGHT: 45 cm
ARM HEIGHT: 57 cm

STITCHING



open seam



pinched seam

FOREST

only available in leather or L60 oklakoma/Colorado and fabrics Hunter

FEVER

available in leather and fabrics

PRODUCT INFO

FRAME



beechwood



chipboard

FILLING



mix down and fibre wool

SUSPENSION

BACK

SEAT



foam HR 40



mix down and fibre wool



no-sag springs

This sofa has loose seat and back cushions

Caution: with the use of different moulds, the stitching of models in fabrics can be different from the stitching of the same models in leather.
All sizes are approximate, technical and stylistic changes and typing errors are reserved.

hetanker
meubelindustrie